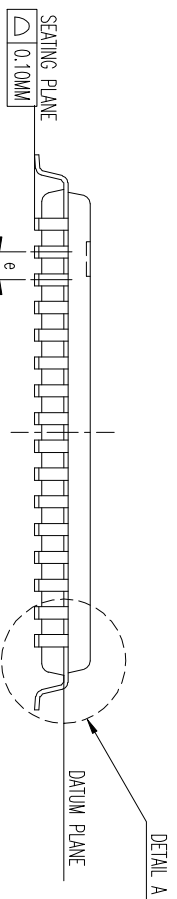
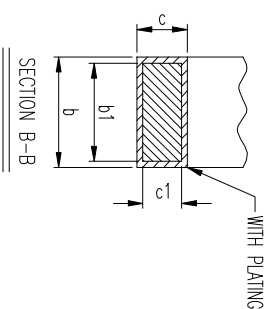
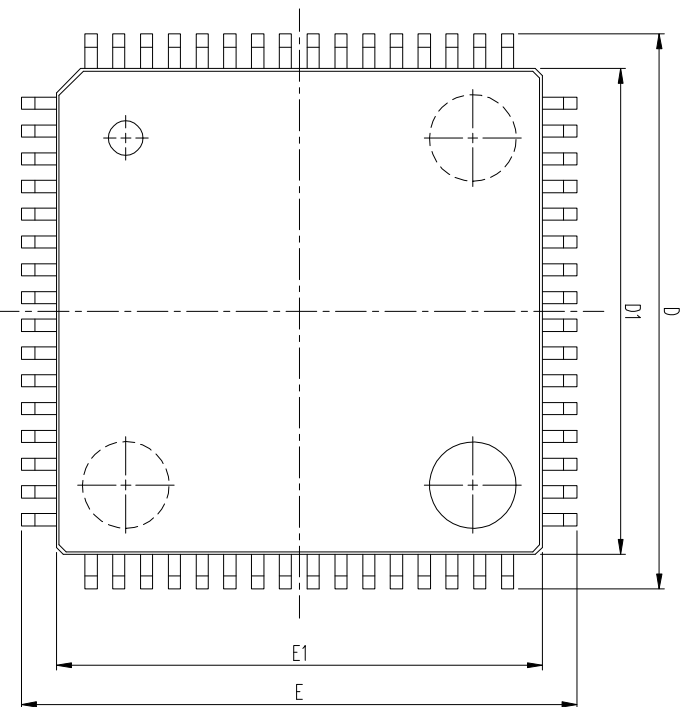
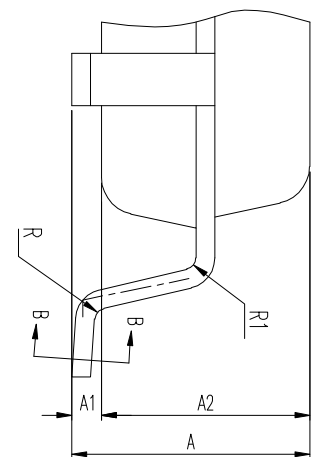


REV.	DESCRIPTION	BY	DATE
ORIG.	DRAWING ISSUE	SANDY CHEN	07.03.2000
A.	ADD SECTION B-B AND VARIATIONS	EDGAR TU	10.19.2006
B.	DIMENSION 0.001 CHANGE TO 0.002 INCH	ANDY LIN	09.06.2012

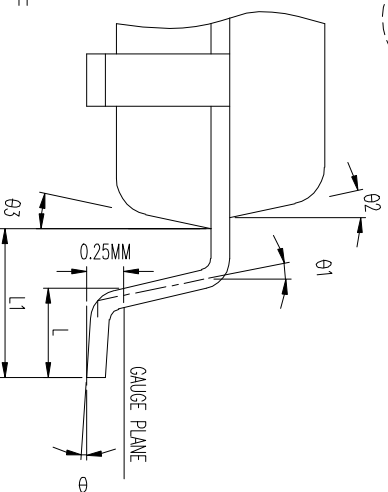


SYMBOL	DIMENSION IN MM			DIMENSION IN INCH		
	MIN.	NOM.	MAX.	MIN.	NOM.	MAX.
A		1.60				0.063
A1	0.05		0.15	0.002		0.006
A2	1.35	1.40	1.45	0.053	0.055	0.057
b	0.30	0.37	0.45	0.012	0.015	0.018
b1	0.30	0.35	0.40	0.012	0.014	0.016
c	0.09		0.20	0.004		0.008
c1	0.09		0.16	0.004		0.006
e		0.80 BASIC			0.031 BASIC	
D		16.00 BASIC			0.630 BASIC	
D1		14.00 BASIC			0.551 BASIC	
E		16.00 BASIC			0.630 BASIC	
E1		14.00 BASIC			0.551 BASIC	
L	0.45	0.60	0.75	0.018	0.024	0.030
L1		1.00 REF.			0.039 REF.	
R1	0.08			0.003		
R	0.08	0.20		0.003		0.008
Ø	0	3.5	7	0	3.5	7
Ø1	0			0		
Ø2	11	12	13	11	12	13
Ø3	11	12	13	11	12	13

\*NOTES : DIMENSIONS " D1 " AND " E1 " DO NOT INCLUDE MOLD PROTRUSION. ALLOWABLE PROTRUSION IS 0.25 mm PER SIDE. " D1 AND " E1 " ARE MAXIMUM PLASTIC BODY SIZE DIMENSIONS INCLUDING MOLD MISMATCH.



DETAIL A



**CWT** Chant World Technology Inc.

TITLE LOFP 64L PACKAGE OUTLINE  
BODY SIZE : 14 X 14 MM

XXXXXX	±0.005	ANGULAR	± 1°
XXXXXX	±0.035	ROUGH-	
XXXXXX	±0.05	NESS	
XX	±0.1	SCALE	
XX	±0.2	SCALE	

DESIGNED	EDGAR TU 07.03.2000	UNIT	QTY
CHECKED	HENRY YE 09.06.2012	FILE NAME :	P8F064P3
APPROVED	SANDY CHEN 09.06.2012	DWG. NO.:	CW-P8-013C

A3